



Kodak

ScanMate

i900 Series Scanners

User's Guide

3rd Party Licenses

This software is based in part on the work of the Independent JPEG Group

Copyright (C)2009-2013 D. R. Commander. All Rights Reserved.

Redistribution and use in source and binary forms, with or without modification, are permitted provided that the following conditions are met:

- Redistributions of source code must retain the above copyright notice, this list of conditions and the following disclaimer.
- Redistributions in binary form must reproduce the above copyright notice, this list of conditions and the following disclaimer in the documentation and/or other materials provided with the distribution.
- Neither the name of the libjpeg-turbo Project nor the names of its contributors may be used to endorse or promote products derived from this software without specific prior written permission.

THIS SOFTWARE IS PROVIDED BY THE COPYRIGHT HOLDERS AND CONTRIBUTORS "AS IS", AND ANY EXPRESS OR IMPLIED WARRANTIES, INCLUDING, BUT NOT LIMITED TO, THE IMPLIED WARRANTIES OF MERCHANTABILITY AND FITNESS FOR A PARTICULAR PURPOSE ARE DISCLAIMED. IN NO EVENT SHALL THE COPYRIGHT HOLDERS OR CONTRIBUTORS BE LIABLE FOR ANY DIRECT, INDIRECT, INCIDENTAL, SPECIAL, EXEMPLARY, OR CONSEQUENTIAL DAMAGES (INCLUDING, BUT NOT LIMITED TO, PROCUREMENT OF SUBSTITUTE GOODS OR SERVICES; LOSS OF USE, DATA, OR PROFITS; OR BUSINESS INTERRUPTION) HOWEVER CAUSED AND ON ANY THEORY OF LIABILITY, WHETHER IN CONTRACT, STRICT LIABILITY, OR TORT (INCLUDING NEGLIGENCE OR OTHERWISE) ARISING IN ANY WAY OUT OF THE USE OF THIS SOFTWARE, EVEN IF ADVISED OF THE POSSIBILITY OF SUCH DAMAGE.

Safety

User precautions

- Do not install the scanner in a location subject to dust, humidity or steam. This may cause electrical shock or fire.
- Make sure the electrical power outlet is located within 1.52 meters (5 feet) of the scanner and is easily accessible.
- Be sure the power adapter is securely plugged into the wall outlet.
- Use only the AC adapter that is supplied with the scanner.
- Leave sufficient space around the power outlet so it can be easily unplugged in case of an emergency.
- Do not use the scanner if it becomes inordinately hot, has a strange odor, emits smoke, or makes unfamiliar noises. Immediately stop the scanner and disconnect the power adapter from the power outlet. Contact Kodak Alaris Service.
- Do not disassemble or modify the scanner or the AC power adapter.
- Do not move the scanner with the power adapter and USB cable attached. This may cause damage to the adapter/cable. Remove the power adapter from the wall outlet before moving the scanner.
- Material Safety Data Sheets (MSDS) for chemical products are available on the Kodak Alaris website at: www.kodakalaris.com/go/msds. When accessing the MSDSs from the website, you will be required to provide the catalog number or keyword of the consumable you want the Material Safety Data Sheet for. See the section entitled, "Supplies and consumables" later in this guide for supplies and catalog numbers.

- Follow Kodak Alaris recommended cleaning procedures. Do not use air, liquid or gas spray cleaners. These cleaners displace dust, dirt and debris to other locations within the scanner, which may cause the scanner to malfunction.

Environmental information

- The *Kodak ScanMate* i900 Series Scanners are designed to meet worldwide environmental requirements.
- Guidelines are available for the disposal of consumable items that are replaced during maintenance or service; follow local regulations or contact Kodak Alaris locally for more information.
- For recycling or reuse information, contact your local authorities, or in the USA, visit: www.kodakalaris.com/go/scannerrecycling.
- The product packaging is recyclable.
- The *Kodak ScanMate* i900 Series Scanner is Energy Star compliant and is shipped from the factory with the default time set to 15 minutes.

EMC statements

United States: This device complies with Part 15 of the FCC rules. Operation is subject to the following two conditions:

1. This device may not cause harmful interference, and
2. This device must accept any interference received, including interference that may cause undesired operation.

Changes or modifications not expressly approved by the party responsible for compliance could void the user's authority to operate the equipment.

NOTE: This equipment has been tested and found to comply with the limits for a Class B digital device, pursuant to Part 15 of the FCC Rules.

These limits are designed to provide reasonable protection against harmful interference in a residential installation. This equipment generates, uses and can radiate radio frequency energy and, if not installed and used in accordance with the instructions, may cause harmful interference to radio communications. However, there is no guarantee that interference will not occur in a particular installation. If this equipment does cause harmful interference to radio or television reception, which can be determined by turning the equipment off and on, the user is encouraged to try to correct the interference by one or more of the following measures:

- Reorient or relocate the receiving antenna.
- Increase the separation between the equipment and receiver.
- Connect the equipment into an outlet on a circuit different from that to which the receiver is connected.
- Consult the dealer or an experienced radio/TV technician for help.

Korea: As this equipment has obtained EMC registration for household use, it can be used in any area including residential areas.

이 기기는 가정용으로 전자파적합등록을 한 기기로서 주거지역에서는 물론 모든 지역에서 사용할 수 있습니다.

Japan: This is a Class B product. Although this equipment is intended for use in a residential environment, it could cause poor reception if used near a radio or a television receiver. Please follow instructions in the instruction manual.

この装置は、クラスB機器です。この装置は、住宅環境で使用することを目的としていますが、この装置がラジオやテレビジョン受信機に近接して使用されると、受信障害を引き起こすことがあります。

取扱説明書に従って正しい取り扱いをして下さい。

VCCI-B

Taiwan:

設備名稱：掃描機 Equipment name		型號 (型式) : ScanMate i940 Type designation (Type)				
單元Unit	限用物質及其化學符號 Restricted substances and their chemical symbols					
	鉛Lead (Pb)	汞 Mercury (Hg)	鎘 Cadmium (Cd)	六價鉻 Hexavalent chromium (Cr ⁺⁶)	多溴聯 苯 Polybrominated biphenyls (PBB)	多溴二 苯醚 Polybrominated diphenyl ethers (PBDE)
外殼	○	○	○	○	○	○
電路板	○	○	○	○	○	○
掃描模組	○	○	○	○	○	○
取紙模組	○	○	○	○	○	○
配件	○	○	○	○	○	○

備考1. “超出0.1 wt %”及“超出0.01 wt %”係指限用物質之百分比含量超出百分比含量基準值。

Note 1: “Exceeding 0.1 wt %” and “exceeding 0.01 wt %” indicate that the percentage content of the restricted substance exceeds the reference percentage value of presence condition.

備考2. “○”係指該項限用物質之百分比含量未超出百分比含量基準值。

Note 2: “○” indicates that the percentage content of the restricted substance does not exceed the percentage of reference value of presence.

備考3. “-”係指該項限用物質為排除項目。

Note 3: The “-” indicates that the restricted substance corresponds to the exemption.

Acoustic emission

Maschinenlärminformationsverordnung – 3, GSGV
Der arbeitsplatzbezogene Emissionswert beträgt <70 dB(A).

[Machine Noise Information Ordinance — 3, GSGV
The operator-position noise emission value is <70 dB(A).]

European Union

This symbol indicates that when the last user wishes to discard this product, it must be sent to appropriate facilities for recovery and recycling. Please contact your local Kodak Alaris representative or refer to www.kodakalaris.com/go/recycle for additional information on the collection and recovery programs available for this product.



Please consult www.kodakalaris.com/go/REACH for information about the presence of substances included on the candidate list according to article 59(1) of Regulation (EC) No. 1907/2006 (REACH).

EAC

Overview

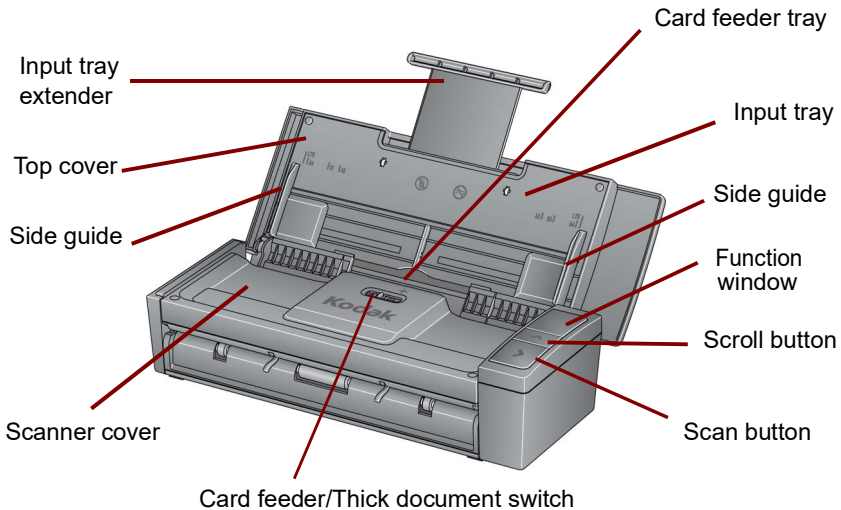
The *Kodak ScanMate* i900 Series Scanner is a desktop, duplex color scanner that scans two sides of a document in a single pass at up to 20 pages per minute. The scanner can accommodate documents up to 21.6 x 165.1 cm / 8.5 x 60 inches using the 20-sheet automatic document feeder when the host PC is configured with adequate memory.

What's in the box

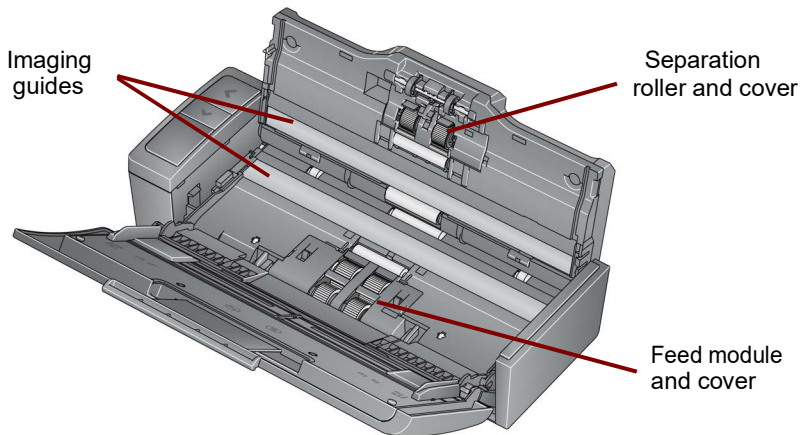
- *Kodak ScanMate* i915 or i940 Scanner
- USB power cable
- USB 2.0 data cable - *only for the i940 Scanner*
- AC power cable
- AC plug adapter(s)
- Installation CD and documentation
- NewSoft Presto BizCard - *only for the i940 Scanner*

Scanner components

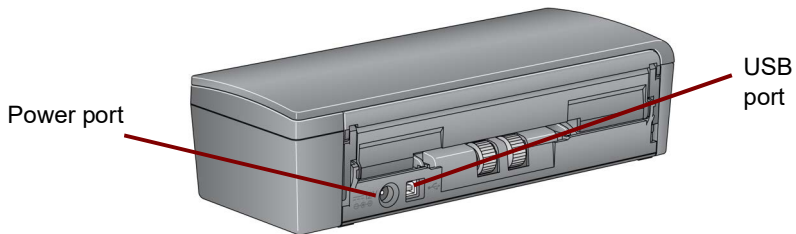
Front view



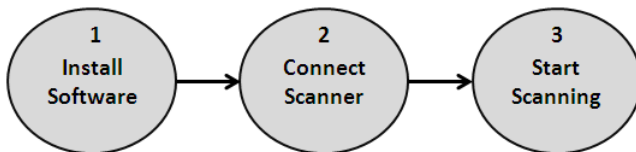
Inside view



Rear view



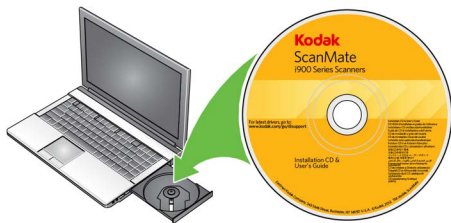
Setup



1

Install Software

1. Insert the *Kodak ScanMate* i900 Series Scanner Installation CD into the CD-ROM drive. The installation program starts automatically.
2. Select **Install Scanner Software**.



NOTES:

- If the CD does not start automatically, open the My Computer icon on your desktop. Double-click the icon indicating your CD-ROM drive, then double-click on **setup.exe**.
 - If the message ***Portions of this application are already installed*** is displayed, click **Yes** to continue the installation process. Any previously installed *Kodak* Scanner software that is shared with this scanner will be updated.
3. Click **Next** when the Welcome screen is displayed.
 4. Click **I Agree** after you have read and agreed with the terms of the Software License Agreement. The installation will start and several progress screens will be displayed.
 5. Click **Finish** when the installation is complete.
 6. Remove the *Kodak ScanMate* i900 Series Scanner Installation CD from the CD-ROM drive.

When the software has been installed, make one of the following power connections to the scanner. Refer to the illustrations on the following pages for making proper connections. Make sure the power outlet is located within 1.52 meters (5 feet) of the scanner and is easily accessible.

You can use your scanner in one of the following ways:

NOTE: The i915 Scanner only has the capability of **Option 1: Using the AC power cable and USB data cable.**

Option 1: Using the AC power cable and USB data

cable — this connection is typically used when the scanner is used in a stationary location.

Option 2*: Using the USB data cable — this connection provides easy portability when using the scanner in different locations.

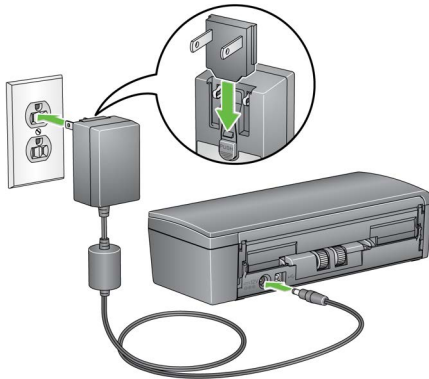
Option 3*: Using the USB power cable and USB data cable — when scanning thick documents, it is recommended that you use the USB power cable with the USB data cable.

* These options will decrease the scanner throughput.

Option 1: Using the AC power cable and USB data cable

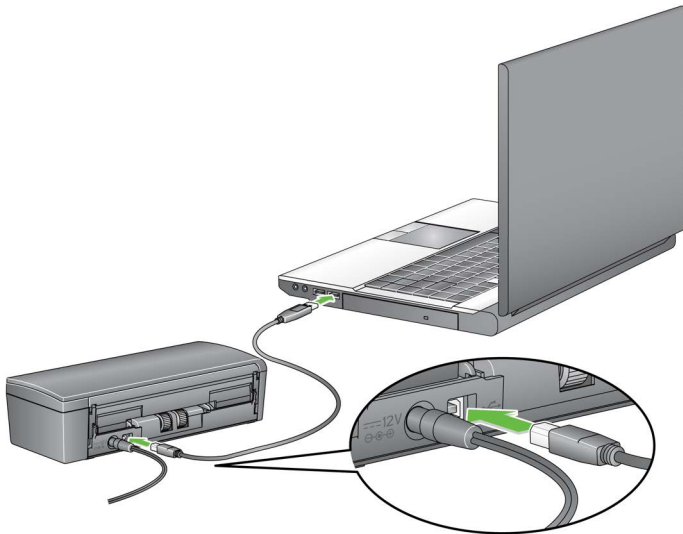
NOTE: **If you have an i940 Scanner**, select the appropriate AC plug adapter for your region from the supply of plug adapters packed with your scanner and continue with Step 1.

1. Attach the correct plug adapter to the power supply and insert the power supply into the wall outlet.



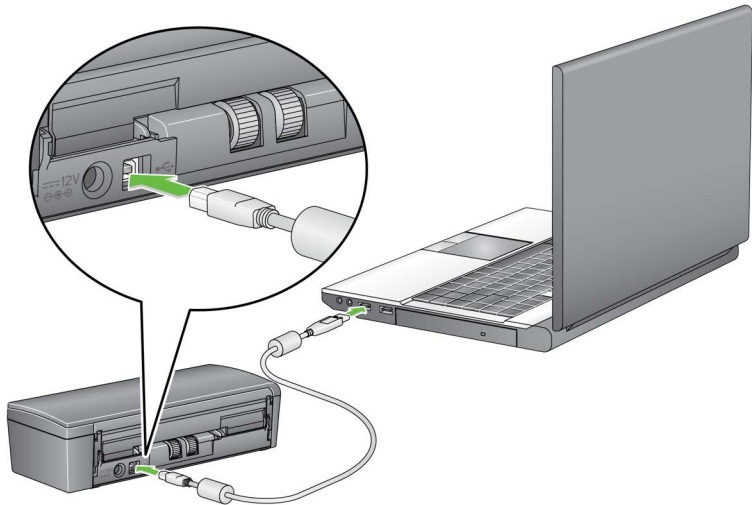
2. Plug the AC power cable into the power port on the scanner.

3. Attach the USB data cable to the scanner USB port, located on the back of the scanner.
4. Attach the other end of the USB data cable to the proper USB port on your laptop or desktop PC.



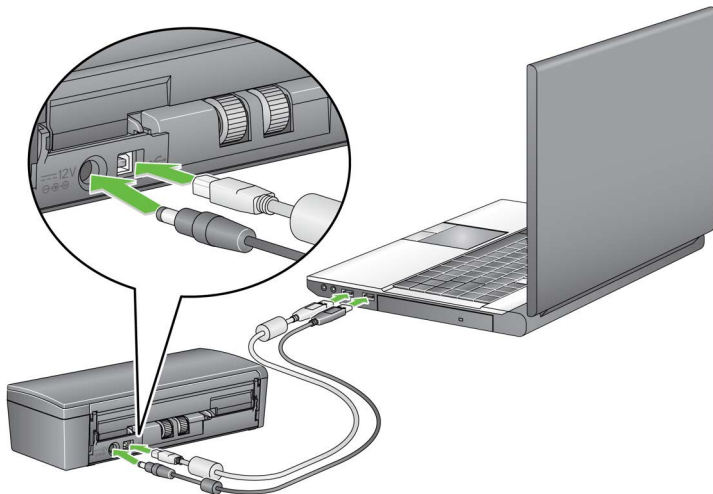
Option 2: Using the USB data cable

1. Attach the USB data cable to the scanner USB port, located on the back of the scanner.
2. Attach the other end of the USB data cable to the proper USB port on your laptop or desktop PC.



Option 3: Using the USB power cable and USB data cable

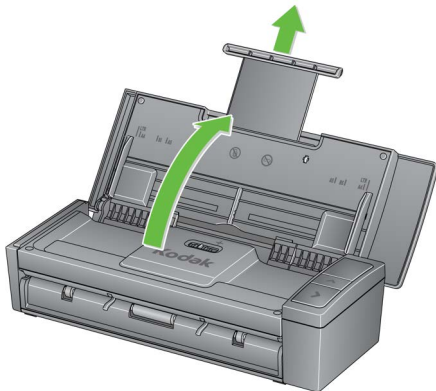
1. Plug the USB power cable into the power port on the scanner.
2. Attach the other end of the USB power cable to the proper USB port on your laptop or desktop PC.
3. Attach the USB data cable to the scanner USB port, located on the back of the scanner.
4. Attach the other end of the USB data cable to the proper USB port on your laptop or desktop PC.



Turning on/off the scanner

- **To turn the scanner on:** open the top cover. When you turn on the scanner, the green indicator on the front of the scanner will flash as the scanner goes through a series of self tests. When the green light is steady, the scanner is ready.

Do not disconnect the AC power cord while the cover is open.



NOTES:

- If the Smart Touch application is not installed, you will not see the Smart Touch icon in your system tray.
- When the scanner is ready, you will see the Smart Touch scanner icon in your system tray.



Scanner not ready



Scanner ready

- **To turn the scanner off:** close the top cover. It is recommended that when the scanner is not in use you keep the cover closed. By default, if the scanner is on and left idle for more than 60 minutes after the scanner goes into energy star mode, the scanner will power off. To power the scanner back on, close the cover and then open the cover.

Power saver mode: by default, after 15 minutes of inactivity, the scanner will automatically enter into power saver mode.

To activate the scanner from power saver mode press the Up arrow or close the cover then open the cover.

Getting your documents ready to scan

- Standard paper size documents feed easily through the scanner. When organizing documents for scanning, stack the documents so the lead edges are aligned and centered in the input tray. This allows the feeder to introduce documents into the scanner one at a time.
- Remove all staples and paper clips before scanning. Staples and paper clips on documents may damage the scanner and documents.
- All inks and correction fluids on the paper must be dry before scanning is started.
- Be sure the front side of the document is positioned against the input tray and the top of the document is inserted into the input tray first.
- If you are scanning thick documents (i.e., card stock, etc.) using the input tray, move the card feeder/thick document switch to the right until it snaps into place. The switch should be pushed to the left when scanning normal weight documents.
- If you are scanning credit cards, ID cards, thick cards, etc. place the card(s) in the card feeder tray and move the card feeder/thick document switch to the right until it snaps into place.
- When scanning business cards, the card feeder/thick document switch should be pushed to the left.

The steps in the next section “Getting your scanner ready to scan” and the section entitled, “Making your first scan” only apply if the Smart Touch application is installed.

Getting your scanner ready to scan

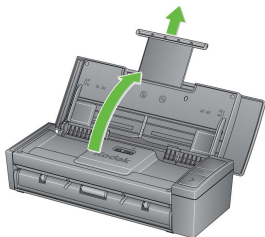
1. Be sure the scanner is on and ready to scan (green indicator light is on and constant) and the Smart Touch scanner icon is ready in your system tray.



Scanner ready

NOTE: Smart Touch allows you to quickly and easily perform common scanning tasks. Nine different tasks can be assigned and performed.

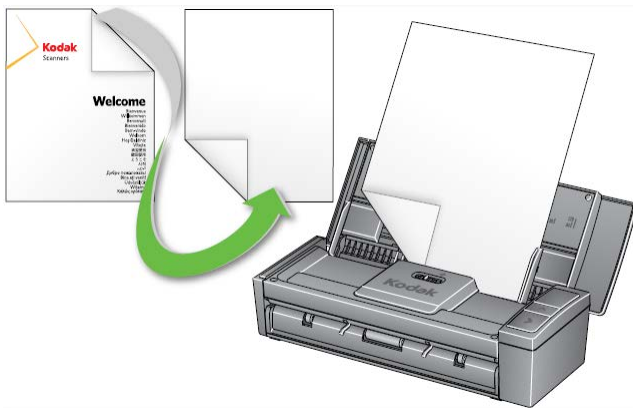
2. Pull out the document extender on the input tray.



3. Adjust the side guides (by sliding them in or out) to accommodate the size of documents you are scanning.

Making your first scan

1. Insert a standard size document into the input tray. Be sure the front side of the document is positioned against the input tray and the top of the document is inserted into the input tray first.

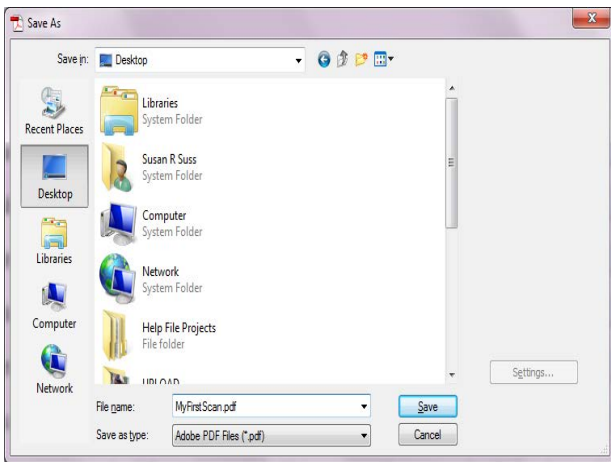


2. Verify that the number **1** is displayed in the Function window. If the number 1 is not displayed, press the Scroll button until number 1 is displayed.

NOTE: Smart Touch is pre-configured with tasks 1-9. Task number 1 is assigned: **Color PDF**.

3. Press the **Scan** button.

When the document has finished scanning, the Save As dialog box will be displayed.



4. Enter a file name (e.g., My First Scan.pdf) and select a location where you want to save the file (e.g., on the Desktop) and click **Save**.

After clicking **Save**, the document will be displayed for viewing.

NOTE: Smart Touch can be configured to meet your scanning needs. For more information about Smart Touch, see the *Documentation* folder on the CD that came with your scanner.

Your scanner is ready to use.

Scanning cards

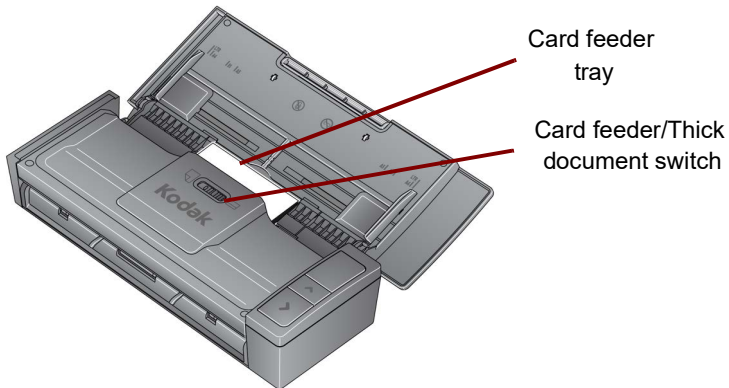
When scanning thick/hard cards:

1. Place the card in the card feeder tray.
2. Slide the card feeder/thick document switch to the right.
3. Press the **Scan** button.

When scanning business cards:

1. Place the card in the card feeder tray.
2. Press the **Scan** button.

NOTE: You do **not** need to move the card feeder/thick document switch to the right



Scanning applications

Smart Touch

Kodak Alaris provides Smart Touch functionality which allows you to quickly and easily perform common scanning tasks; such as:

- scan and share incoming client correspondence with a co-worker in a branch office
- create a searchable PDF of a printed report
- scan and print/fax an invoice
- scan a photo to add to a presentation

Nine predefined task shortcuts are available for you to use. You can modify and rename any of the shortcuts to create your own custom tasks. You can also preview and easily edit images (zoom, pan, rotate, crop, and much more) before they are sent to their destination.

For more information about Smart Touch, see the *Documentation* folder on the CD that came with your scanner.

NewSoft Presto BizCard - *Only for the i940 Scanner*

Kodak Alaris provides NewSoft Presto BizCard which allows you to quickly and easily convert the contact information from business cards into a searchable, digital database that can be easily synchronized between PCs, notebooks, PDAs and PIMs.

Maintenance

This section provides procedures for cleaning the scanner and replacing consumables.

Your scanner needs to be cleaned periodically. If your documents do not feed easily, if several documents feed at the same time or if streaks appear on your images, it is time to clean your scanner. The section entitled “Supplies and consumables” later in this chapter, provides a listing of the supplies required to clean your scanner.

IMPORTANT: Use only the Kodak Alaris recommended cleaning supplies. Do not use household cleaners.

Do not use air, liquid or gas spray cleaners.

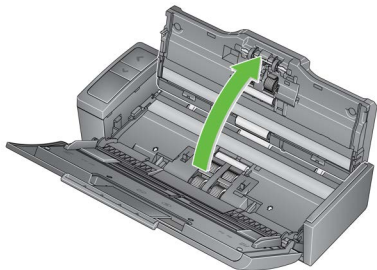
Allow surfaces to cool to ambient temperature before use. Do not use cleaners on hot surfaces.

Use adequate ventilation. Do not use cleaners in confined areas.

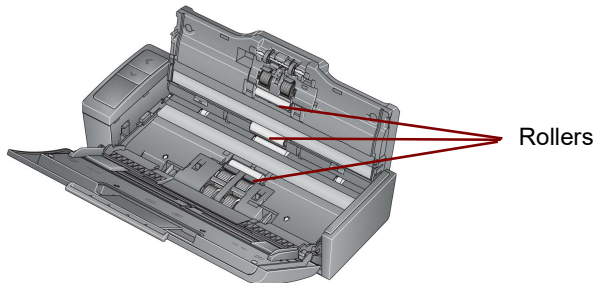
Certain paper types may require cleaning the scanner rollers more frequently and changing consumables more often.

1. Disconnect the power from the scanner before performing cleaning procedures.
2. Open the top cover.

3. Open the scanner cover.

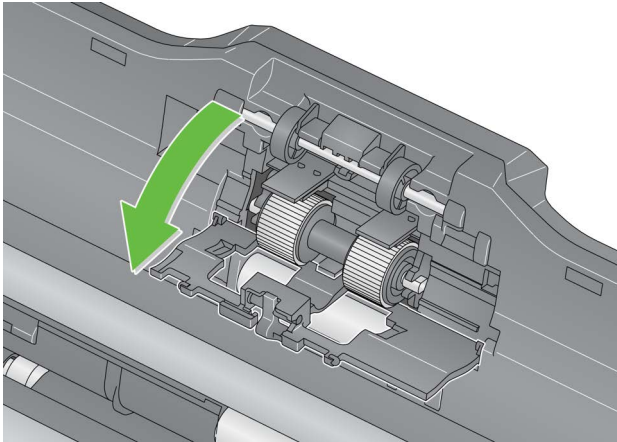


4. With a roller cleaning pad, wipe the three feed rollers from side to side. Rotate the rollers to clean the entire surface.



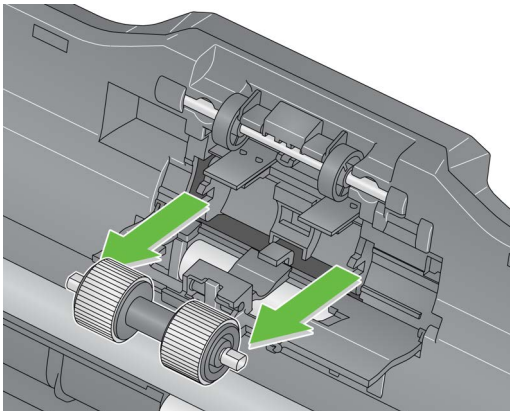
Cleaning or replacing the separation module

1. Release the separation roller cover.



2. Remove the separation roller.
 - If the separation roller is worn and there is a degradation of feeder performance, replace the separation roller and go to Step 4.

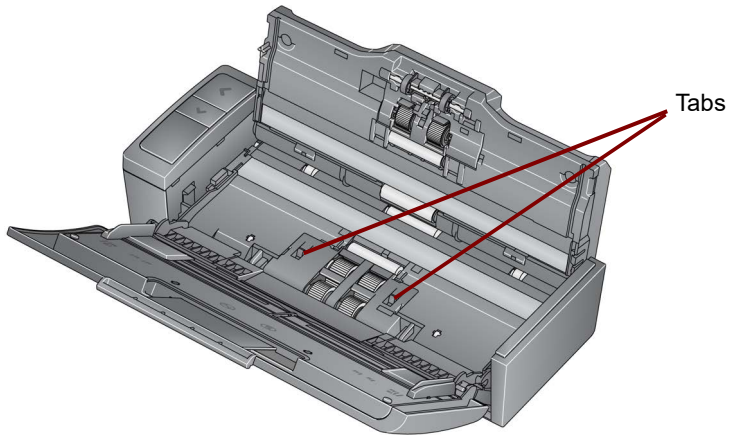
- If the separation roller needs to be cleaned, continue with Step 3.



3. Wipe the rollers from side to side.
4. Reinstall the cleaned separation roller or install a new separation roller.
5. Close the separation roller cover.

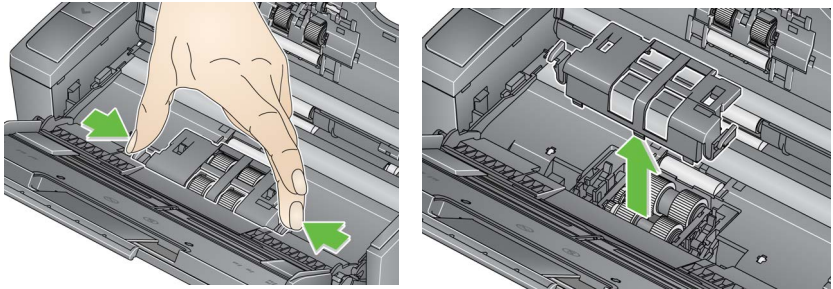
Cleaning or replacing the feed module

IMPORTANT: *Before removing the feed module cover, the tabs need to be in the lower position.*

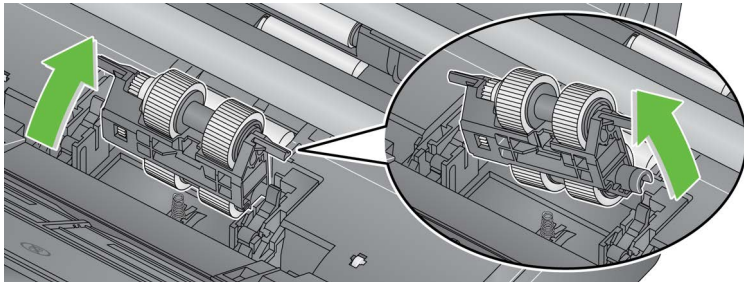


1. Power on the scanner by opening the top cover.
2. Open the scanner cover. The feed module tires will rotate and lower the tabs.

3. Remove the feed module cover by squeezing the tabs on each side of the cover and lifting the cover out of place.



4. Remove the feed module.



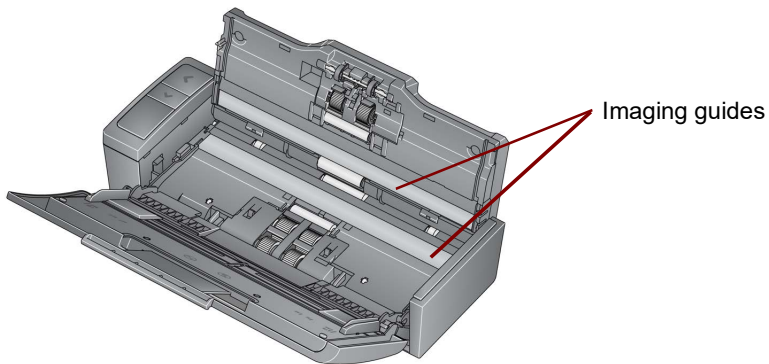
NOTE: It may be necessary to place your finger in the opening underneath the scanner cover and push up on the module to release it from its position.

- If the feed module tires are worn and there is a degradation of feeder performance, replace the feed module and go to Step 6.
 - If the feed module tires need to be cleaned, continue with Step 5.
5. Wipe the rollers from side to side.
 6. Reinstall the cleaned feed module or install a new feed module.
 7. Reinstall the feed module cover and close the scanner cover.

Cleaning the imaging guides

1. Open the top cover and open the scanner cover.
2. Remove dust and debris from the front and rear imaging guides by using a Staticide wipe, a “Step 1” Brilliantize Detailer wipe or a small brush. Be careful not to scratch the glass.

IMPORTANT: *Staticide wipes contain isopropanol which can cause eye irritation and dry skin. Wash your hands with soap and water after performing maintenance procedures. Refer to the MSDS for more information.*



3. Wipe the front and rear imaging guide again with an almost dry Staticide wipe or a “Step 2” Brilliantize Detailer wipe to remove any streaks.
4. When finished, close the scanner cover and reconnect the power.

Supplies and consumables

Contact your scanner supplier to order supplies.

Description	CAT No.
Feed Module Assembly	846 7839
Separation Module Assembly	177 5246
<i>Kodak</i> Roller Cleaning Pads	100 2716
<i>Kodak Digital Science</i> Transport Cleaning Sheets	169 0783
<i>Brilliance</i> Detailer Wipes / for <i>Kodak</i> Scanners	826 6488
Staticide wipes for <i>Kodak</i> Scanners	896 5519

NOTE: Items and catalog numbers are subject to change.

Troubleshooting

Problem solving

Occasionally you may encounter a situation with your scanner where it may not function properly. Use the chart below as a guide to check possible solutions to help you resolve the situation before calling Technical Support.

Problem	Possible Solution
A document is jammed in the scanner	<ul style="list-style-type: none">• Open the scanner cover.• Remove any jammed document(s) from inside the scanner.• Close the scanner cover and resume scanning.
Distorted images	The feeder holds up to 20 documents in the input tray. While scanning is taking place, you cannot add documents to the feeder. If you do add documents, your images may be distorted.
Image has clipped corners	If your images have clipped corners, the skew angle was too large for the scanner to handle. Be sure documents are placed in the input tray with the edges aligned and the side guides positioned correctly to accommodate the size documents you are feeding to avoid large skew angles.

Problem	Possible Solution
Scanner will not scan/feed documents	<p>Make sure that:</p> <ul style="list-style-type: none"> • the power cord is plugged securely into the back of scanner and the wall outlet. • the green LED on the scanner is lit. • the wall outlet is not defective (call a licensed electrician). • the PC was restarted after installing the software. • document(s) is making contact with the feed rollers. • the scanner is properly connected. The scanner will not work if only the USB 2.0 power cable is connected (i940 Scanner only). • If you have a Kodak i920 ScanMate Scanner, you must use both the USB data cable and the AC power adapter. The i920 Scanner does not have the USB power cable option.
Image quality is poor or has decreased	Clean the scanner. See the procedures in the <i>Maintenance</i> chapter.
Roller marks appear on the document after scanning	Clean the rollers. See the procedures in the <i>Maintenance</i> chapter.

Problem	Possible Solution
Documents are jamming or multiple documents are feeding	<p>Make sure that:</p> <ul style="list-style-type: none"> • the input tray and side guides are adjusted for the width and length of the documents you are scanning. • the Card feeder/Thick Document switch is in the correct position. The switch should be moved to the right when scanning thick documents; and to the left when scanning normal documents. • all documents meet the specifications for size, weight and type. See Appendix A, <i>Specifications</i> for more information. • the scanner is clean.
No images are being displayed	<ul style="list-style-type: none"> • Documents should only be inserted in the feeder after the scanner is powered up and ready. • If you are scanning one side of a document, be sure the side you want to scan is placed toward the feed tray (not facing you). For more information, see the section entitled, “Getting your documents ready to scan”.

Problem	Possible Solution
Scanner is running slow	<ul style="list-style-type: none">• Your PC may not meet the minimum requirements for the scanner.• The scanner is rated and designed to operate with USB 2.0, but will function with USB 1.1. If you are using a USB 1.1 connection, update your connection to USB 2.0.

LED error codes

Following is a listing of the error codes that may be displayed in the Function window. When an error occurs, the red indicator will blink and a number is displayed in the Function window.

Code	Problem	Remedy
U6	Scanner cover is open	Close the scanner cover.
E4	Scanner error	Turn the scanner off, then on again. Restart the scanning application and try again. If the problem persists, contact Technical Support.
E5	Scanner time-out	Check USB cable then turn off the scanner and turn it back on again.
U8	Multifeed detected	The scanner has detected a multifeed document. Clear the paper path and restart the scan session from your scanning application.
U9	Document jam	Open the scanner cover and clear the paper jam.
	Function window is blank	Check to be sure your scanner is properly connected. The scanner will not work if only the USB power cable is connected.

Contacting Service

1. Visit www.kodakalaris.com/go/scanners to obtain the current phone number for your country.
2. When calling, please have the following information ready:
 - A description of your problem.
 - The scanner model and serial number.
 - Computer configuration.
 - Software application you are using.

Appendix A Specifications

This appendix provides scanner specifications and system requirements.

Scanner Type/ Speed	Duplex color scanner with an automatic document feeder
Scanning Speeds	B/W, grayscale @ 200 dpi: 20 ppm/40 ipm (AC power) Color @ 200 dpi: 15 ppm/30 ipm (AC power) BW, grayscale, color @ 200 dpi: 8 ppm/16 ipm (USB power)
Scanning Technology	Contact Image Sensor (CIS) x 2 Grayscale output bit depth is: 8 Color capture bit depth is: 24 Color output bit depth is: 24
Scan Resolutions	100, 150, 200, 240, 250, 300, 400, 600 and 1200 dpi
File Format Output	BMP, TIFF, JPEG, RTF, Searchable PDF, PDF
Acceptable Paper Weight	4.9 to 398 g/m ² (10.7 to 220 lbs.)
Maximum document size	21.6 x 152.4 cm (8.5 x 60 in.)
Minimum document size	8.0 x 5.2 cm (3.15 x 2.05 in.)
ADF Capacity	20 sheets
Recommended Daily Volume	1000

Light source	3 color LED (R,G,B)
Electrical requirements	AC Adapter: DC 12V, 1.5A or USB power
Scanner Dimensions	Height: 157 mm / 6.18 in. with tray fully extended 80.4 mm / 3.17 in. with tray closed Width: 289 mm / 11.38 in. Depth: 307 mm / 12.09 in. with tray fully extended 109 mm / 4.29 in. with tray closed
Scanner Weight	1.3 kg / 2.86 lbs.
Host Connection	USB 2.0
Operating Temperature	10°C to 35°C (50F to 95°F)
Humidity	10 to 85% RH
Environmental Factors	Energy Star qualified scanners
Power Consumption	Off mode: <1.0 watts Running: <15 watts Energy Star: <4.3 W base limit
Acoustic Noise (Sound Power level)	Operating: less than 58 dB Off mode: less than 46 dB
Bundled software	TWAIN Datasource, ISIS Driver, Smart Touch, WI and NewSoft Presto BizCard (<i>only for the i940 Scanner</i>)

System requirements

Following is the minimum recommended system configuration to run *Kodak ScanMate i900 Series Scanner*.

- Recommended processor and memory: Core Duo 2.1 GHz processor, 2 GB of RAM with USB 2.0 connection
- Supported operating systems:
 - Microsoft Windows XP with SP3 (32-bit and 64-bit)
 - Microsoft Windows Vista with SP2 (32-bit and 64-bit)
 - Microsoft Windows 7, SP1 (32-bit and 64-bit)
 - Microsoft Windows 8 and 8.1 (32-bit and 64-bit)
 - Microsoft Windows 10 (32-bit and 64-bit)

 - Linux Ubuntu 16.04 LTS

Appendix B Warranty

Congratulations on the purchase of a *Kodak Scanner*. *Kodak Scanners* are designed to provide end users with the highest performance and reliability. All *Kodak Scanners* are covered by the following Limited Warranty.

Limited Warranty for *Kodak Scanners*

Kodak Alaris Inc. provides the following Limited Warranty on *Kodak Scanners* (excluding spare parts and consumables) distributed by Kodak Alaris or through Kodak Alaris' authorized distribution channels:

Kodak Alaris Inc. warrants that a *Kodak Scanner*, from the time of sale through the Limited Warranty period applicable to the Product, will be free of defects in materials or workmanship and will conform to the performance specifications applicable for the particular *Kodak Scanner*.

All *Kodak Scanners* are subject to the Warranty Exclusions described below. A *Kodak Scanner* found to be defective or which does not conform to the product specifications will be repaired or replaced with new or refurbished product at Kodak Alaris' option.

Purchasers may determine the applicable Limited Warranty period for the *Kodak Scanners* purchased by visiting www.kodakalaris.com/go/IMsupport or by reviewing the Limited Warranty Summary Card enclosed with the *Kodak Scanner*.

Proof of purchase is required to demonstrate eligibility for warranty service.

Warranty exclusions

Kodak Alaris' Limited Warranty does not apply to a *Kodak* Scanner that has been subjected to physical damage after purchase, caused, for example, by casualty, accident, acts of God or transportation, including (a) by a failure to properly package and ship the Scanner back to Kodak Alaris for warranty service in accordance with Kodak Alaris' then current Packaging and Shipping Guidelines, including failure to replace the shipping restraint prior to shipping, or by a failure to remove the shipping restraint prior to use; (b) resulting from the user's installation, system integration, programming, re-installation of user operating systems or applications software, systems engineering, relocation, reconstruction of data, or removal of the product or any component (including breakage of a connector, cover, glass, pins, trays or seal); (c) from service, modification or repair not performed by Kodak Alaris or a service provider authorized by Kodak Alaris or by tampering, use of counterfeit or other non-Kodak Alaris components, assemblies, accessories, or modules; (d) by misuse, unreasonable handling or maintenance, mistreatment, operator error, failure to provide proper supervision or maintenance, including use of cleaning products or other accessories not approved by Kodak Alaris or use in contravention of recommended procedures or specifications; (e) by environmental conditions (such as excessive heat or other unsuitable physical operating environment), corrosion, staining, electrical work external to the product or failure to provide electro-static discharge (ESD) protection; (f) by failure to install firmware updates or releases available for the product and (g) by such other supplemental exclusions published from time to time online at www.kodakalaris.com/go/IMsupport.

Kodak Alaris provides no Limited Warranty for products purchased from countries other than the United State and Canada. Purchasers of products from foreign distribution channels must seek warranty coverage, if any, through the original source of purchase.

Kodak Alaris provides no Limited Warranty for products that are purchased as part of a third party manufacturer's product, computer system or other electronic device.

Any warranty for these products is provided by the OEM (Original Equipment Manufacturer) as part of that manufacturer's product or system.

The replacement product assumes the remainder of the Limited Warranty period applicable to the defective product or thirty (30) days, whichever is longer.

Installation Warning and Disclaimer

KODAK ALARIS WILL NOT BE RESPONSIBLE FOR ANY CONSEQUENTIAL OR INCIDENTAL DAMAGES RESULTING FROM THE SALE, INSTALLATION, USE, SERVICING OR IMPROPER FUNCTIONING OF THIS PRODUCT, REGARDLESS OF THE CAUSE. SUCH DAMAGES FOR WHICH KODAK ALARIS WILL NOT BE RESPONSIBLE, INCLUDE, BUT ARE NOT LIMITED TO, LOSS OF REVENUE OR PROFIT, LOSS OF DATA, DOWNTIME COSTS, LOSS OF USE OF THE PRODUCT, COST OF ANY SUBSTITUTE PRODUCT, FACILITIES OR SERVICES OR CLAIMS OF CUSTOMERS FOR SUCH DAMAGES.

If there is any conflict between other sections of this appendix and the Limited Warranty, the terms of the Limited Warranty prevail.

How to obtain Limited Warranty service

Kodak Scanners are supplied with information on unpacking, setup, installation and operation. Careful reading of the User's Guide will answer most of the technical questions the end user might have regarding proper installation, operation and maintenance of the product. However, should additional technical support be required, you may visit our website at:

www.kodakalaris.com/go/IMsupport or contact: Kodak Alaris' Response Center:
(800) 822-1414

The Response Center is available Monday – Friday (excluding Kodak Alaris holidays) 8 a.m. to 5 p.m. EST.

Before placing the call, the eligible purchaser should have the *Kodak* Scanner model number, part number, serial number and proof of purchase available. The eligible purchaser should also be prepared to provide a description of the problem.

Response Center personnel will assist the end user in resolving the problem over the phone. The end user may be asked to run some simple, self-diagnostic tests and report the resulting status and error code messages. This will assist the Response Center in determining if the problem is the *Kodak* Scanner or another component and if the problem can be resolved over the phone. If the Response Center determines a hardware problem exists that is covered either under the Limited Warranty or a purchased Maintenance Agreement, a Return Material Authorization Number (RMA) will be assigned as needed, a service request will be initiated and repair or replacement procedures will follow.

Packaging and shipping guidelines

Purchaser must ship all warranty returns in a method that guarantees full protection of the product from shipping damage. Failure to do so will void the *Kodak* Scanner warranty. Kodak Alaris advises the purchaser to keep the original box and packing materials for storing or shipping. Kodak Alaris is not responsible for issues related to shipping damage. The purchaser must return only the *Kodak* Scanner. Prior to shipment, purchaser must remove and retain all “add-on” items, (i.e. adapters, cables, software, manuals, etc.). Kodak Alaris accepts no responsibility for these items and they will not be returned with the repaired or replacement *Kodak* Scanner. All products should be returned to Kodak Alaris in the original shipping container, or an authorized packaging box for the units being returned. Purchaser must install the shipping restraint before the *Kodak* Scanner is shipped. When the original packaging is not available, contact Kodak Alaris’ Response Center at (800) 822-1414 for part numbers and replacement packaging ordering information.

Return procedure

Eligible purchasers seeking services for *Kodak* Scanners covered under this Limited Warranty must obtain a Return Material Authorization number (“RMA”) by calling (800) 822-1414 and within ten (10) business days from the date of issuance of the RMA must return the *Kodak* Scanner to the address designated in the RMA at the end user’s own expense and risk, in compliance with Kodak Alaris’ current Packaging and Shipping Guidelines.

Any defective products or parts replaced by Kodak Alaris become the property of Kodak Alaris.

Customer responsibility

BY REQUESTING SERVICE, THE ELIGIBLE PURCHASER ACKNOWLEDGES THE TERMS OF THE LIMITED WARRANTY, INCLUDING THE DISCLAIMER AND LIMITATION OF LIABILITY PROVISIONS. PRIOR TO SEEKING SERVICE, THE END USER MUST BACK-UP ANY DATA OR FILES THAT MAY BECOME DAMAGED OR LOST. KODAK ALARIS IS, WITHOUT LIMITATION, NOT RESPONSIBLE FOR LOST OR DAMAGED DATA OR FILES.

Warranty Service descriptions

Kodak Alaris offers a range of service programs to support its Limited Warranty and to assist with the use and care of the *Kodak* Scanner (“Service Methods”). A *Kodak* Scanner represents an important investment. *Kodak* Scanners provide the productivity needed to stay competitive. The sudden loss of this productivity, even temporarily, could seriously affect the ability to meet commitments. Downtime can be very expensive, not just in the cost of the repair but also in time lost. To help alleviate these problems, Kodak Alaris may use one of the service methods listed below, depending upon product type, in providing service under its Limited Warranty.

Included with selected *Kodak* Scanners is a Limited Warranty Registration card and a Limited Warranty Summary card. The Limited Warranty Summary card is specific by model. The Limited Warranty Summary card contains important warranty information, including the model number and the Limited Warranty. Refer to the Limited Warranty Summary card to determine the available Service Methods applicable to the particular *Kodak* Scanner.

If the Limited Warranty Registration card or Limited Warranty Summary card cannot be located, additional information may be obtained about the product, including updated warranty and service program information and restrictions, online at www.kodakalaris.com/go/IMSsupport.

To avoid service delays, Kodak Alaris urges end users to complete and return the enclosed Limited Warranty Registration Card at the first opportunity. If you cannot locate the Limited Warranty Registration card, you may register online at www.kodakalaris.com/go/IMsupport.

Kodak Alaris also provides a variety of service programs that may be purchased to assist with the use and care of the *Kodak* Scanner.

Kodak Alaris is committed to providing its customers with quality, performance, reliability and service under the Limited Warranty.

We expect to have a supply of spare parts and consumables for at least 5 years after product manufacture has been discontinued.

On-site service

For the selected *Kodak* Scanner, and after the Response Center verifies a hardware problem, a service call will be opened and logged. A Kodak Alaris Field Engineer will be dispatched to the product location to perform repair service if the product is located within the contiguous forty-eight (48) United States, in certain areas of Alaska and Hawaii, and if there are no security, safety or physical requirements that would restrict the Field Engineer's access to the scanner. For additional information on service areas, visit our website at: www.kodakalaris.com/go/IM. On-Site Service will be provided between the hours of 8 a.m. and 5 p.m. local time, Monday through Friday (excluding Kodak Alaris holidays).

Advanced Unit Replacement (AUR)

AUR may be one of the easiest and most comprehensive service offerings in the industry. In the unlikely event of a product defect, for eligible purchasers of certain *Kodak* Scanners, Kodak Alaris will replace that product within two business days.

The AUR provides advance replacement on specific failed or broken *Kodak* Scanner. To be eligible to take advantage of the AUR, the eligible purchaser must obtain an RMA number, sign an Advance Replacement Agreement and provide a credit card deposit to secure the replacement product. The RMA number should be kept in the event that the status of the replacement product needs to be checked. The eligible purchaser will be asked for the address where the replacement product is to be shipped. The eligible purchaser will also be faxed packing and shipping instructions for the malfunctioning product. The eligible purchaser will then receive a replacement product within 2 business days after the service call initiation and Kodak Alaris' receipt of the signed agreement. The malfunctioning product must be received by Kodak Alaris within ten (10) days of the end user's receipt of the replacement product or the end user's credit card will be charged the list price of the replacement product. Shipment of replacement Imaging Product will be made at Kodak Alaris' expense and choice of freight carrier. Shipments not made under Kodak Alaris' directions and choice of freight carrier may void the Limited Warranty.

Before the product is returned to Kodak Alaris, be sure to remove all options and accessories (which include power cord, documentation, etc.) that are not covered by the Limited Warranty. The box and packaging in which the replacement product was shipped must be used to return the malfunctioning product. If the malfunctioning product is not returned in the box and packaging in which the replacement product was shipped the Limited Warranty may be voided. The Return Material Authorization Number ("RMA") must be clearly marked on the outside of the box to ensure proper receipt and credit of the defective product.

Depot service

If the *Kodak* Scanner is not eligible for AUR or On-Site Service, an eligible purchaser may utilize our Depot Repair Service. The eligible purchaser will be instructed to ship the product to the nearest authorized Depot Repair Center. Product must be shipped at the eligible purchaser's risk and expense to the repair center. Before the product is returned to the repair center, be sure to remove all options and accessories (which include power cord, documentation, etc.) not covered by the Limited Warranty. All products should be returned to Kodak Alaris in the original shipping container, or in a recommended packing box. The *Kodak* Scanner must have the shipping restraint installed before it is shipped. When the original packaging is not available, contact Kodak Alaris' Response Center at (800) 822-1414, for ordering information. Eligible purchasers seeking services for *Kodak* Scanners must obtain a Return Material Authorization number ("RMA") by calling (800) 822-1414, and within ten (10) business days from the date of issuance of the RMA must return the *Kodak* Scanner to the address designated in the RMA at the end user's own expense and risk. The Return Material Authorization Number ("RMA") must be clearly marked on the outside of the box to ensure proper receipt and credit of the defective product.

Upon receipt of the product, the repair center will repair product within ten (10) business days. The repaired product will be shipped back two-day express mail at no expense to the eligible purchaser.

Important restrictions

Eligibility: The Advance Exchange Program and the Depot Service are available to eligible purchasers in the fifty (50) United States, and On-Site Service is available in the contiguous forty-eight (48) states and in certain areas of Alaska and Hawaii for products purchased from authorized distributors of Kodak Alaris. The *Kodak* Scanner will be ineligible for any service under warranty if the product falls under any of Kodak Alaris' then-current Warranty Exclusions, including a purchaser's failure to return defective products to Kodak Alaris in compliance with Kodak Alaris' then current Packaging and Shipping Guidelines. Persons are only considered "eligible purchasers" or "end users" if they originally purchased the *Kodak* Scanner for their own personal or business use, and not for resale.

Consumables: Consumables are items that wear out under normal use and must be replaced by the end user as needed. Consumables, supplies, other expendable items and those items identified as being the user's responsibility in the User's Guide are not covered under the Limited Warranty.

Any defective products or parts replaced by Kodak Alaris become the property of Kodak Alaris.

Contacting Kodak Alaris

For Information on *Kodak* Scanners:

Website: www.kodakalaris.com/go/IM

For U.S. Service, Repair and Technical Assistance by Telephone:

Telephone technical support is available Monday-Friday between the hours of 5 a.m. to 5 p.m. excluding Kodak Alaris holidays. Phone: (800) 822-1414

For Technical Documentation and FAQ's available 24 hours a day:

Website: www.kodakalaris.com/go/IM

For Service Program Information

Website: www.kodakalaris.com

Phone: (800) 822-1414



Kodak Alaris Inc.
2400 Mount Read Blvd.
Rochester, NY 14615

© 2016 Kodak Alaris Inc.
All rights reserved. TM: ScanMate
The Kodak trademark and
trade dress are used under license
from Eastman Kodak Company.